

- Quick-disconnect feature
- Five mix ratio settings - 3:1, 4:1, 6:1, 9:1 & 10:1
- 2- quart capacity
- Foam wand to enhance foaming
- Deflector tip to fan out spray
- Connects to optional Coil Gun Probe accessory (4774-1) for 90 degree direction of spray inside the coil

Sprayers

Coil Gun



Application

For spraying coil cleaners such as Nu-Brite®, CalClean®, HD CalClean®, Alka-Brite® Plus, Tri-Pow'r® HD or any of the other quality Nu-Calgon coil cleaners for cleaning air cooled condensers, evaporator coils, etc. No pre-mixing is necessary as chemical and water are automatically blended in mixing head as you spray. Use for coil cleaning as well as in food preparation areas, wash rooms, or any situation where use of water-diluted chemicals are required.

Specifications

Recommended water pressure 40 to 60 psi, although 40-90 is acceptable.

Packaging

Coil Gun **4774-0**

Assembly Instructions

Slide plastic siphon tube inside sleeve under bottle cap and attach to the bottle. Slide black deflector over tube connector on outlet end of Mixing Head.

Operation Instructions

Connect water supply hose to pistol grip shut-off-valve handle. Remove and fill bottle with liquid chemical concentrate.

CAUTION: To prevent chemical loss from bottle out of air vent hole in mixing head, sprayer must remain in upright position at all times.

Turn dial to desired mixing rate letter to siphon chemical at the specific ratio. This will automatically mix chemical with water at the factory pre-set dilution rate selected on dial. Pistol grip shut-off-valve lever must be fully depressed for accurate mixing.

Also, use the Deflector Tip for covering large areas and remove it for a solid stream that will carry up to 25 feet. Use the foam wand for enhanced foam application.

For a powerful clear water rinse, remove handle from siphon head and use as an insulated water nozzle. Pull back snap ring on female quick coupler to detach or reattach handle to mixing head. For a more gentle rinse without removing handle, move dial to off setting.

IMPORTANT NOTE: Handle supplied with gun contains an anti-siphon to protect water supply from accidental chemical contamination. (Note: A slight discharge of water from base of handle when water is turned off is normal and indicates anti-siphon is functioning properly.) **DO NOT USE ANY OTHER HANDLE WITH THIS SPRAYER.** If replacement is needed, a handle with anti-siphon installed should be obtained from your supplier.

Also, use the Deflector Tip for covering large areas, and remove it for a solid stream that will carry up to 25 feet. Use the foam wand for enhanced foam application.

Warranty & Repair

The sprayer is guaranteed against defects in material and workmanship for a period of one (1) year from date of purchase. The manufacturer is not responsible for guns that have been altered, incorrectly used, improperly maintained, abused, or more importantly used with a hydrofluoric acid (HF) coil cleaner. Replacement parts list is shown on the reverse side of this bulletin.

Maintenance

After each use the gun must be cleaned to insure trouble-free operation. Return unused chemical to original container. Rinse bottle, refill with water, and spray for

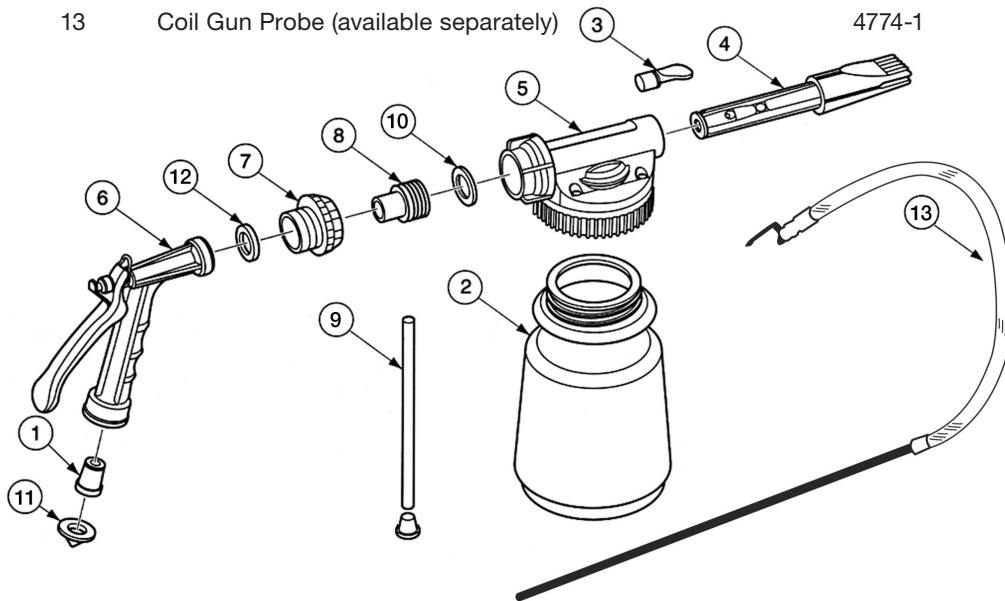
several minutes to rinse out orifice within mixing chamber. In instances where a chemical is particularly caustic or viscous, it may be necessary to soak the mixing head in water or neutralizer. This should eliminate contamination of the mixing head and build up of dried chemicals.

Read and understand the product's label and Safety Data Sheet ("SDS") for precautionary and first aid information.

The SDS is available on the Nu-Calgon website at www.nucalgon.com.

Parts List & Exploded Diagram of Coil Gun Assembly

ITEM NO.	DESCRIPTION	PART NO.
1	Anti-Siphon Unit	PG03
2	Bottle	PG12
3	Deflector	PG09
4	Foam Wand	PG09a
5	Mixing Head Complete	PG10a
6	Pistol Grip Shut-off (Includes Anti-Siphon Unit & Filter Washer)	PG01
7	Quick Coupler (Female)	PG14
8	Quick Coupler (Male)	PG13
9	Siphon Tube with Screen	PG11
10	Washer (Head)	PG05
11	Washer (Filter)	PG02
12	Quick Coupler Washer	PG04
13	Coil Gun Probe (available separately)	4774-1



WARNING:

Always wear eye protection and wear protective clothing. Spray in well ventilated, open area. Nozzle is equipped with anti-siphon device to prevent chemicals from being drawn back into hose. Do not substitute nozzles. Clean sprayer and bottle thoroughly after each use to prevent contamination between different chemicals. Test dilution ratio of chemical before spraying. Bottle must remain upright to prevent chemical loss out of the air vent hole in the mixing head. Before using, read and understand chemical manufacturer's instructions and warnings.

FAILURE TO HEED ALL SAFETY INSTRUCTIONS AND WARNINGS COULD RESULT IN PROPERTY DAMAGE, SERIOUS BODILY INJURY OR DEATH.

